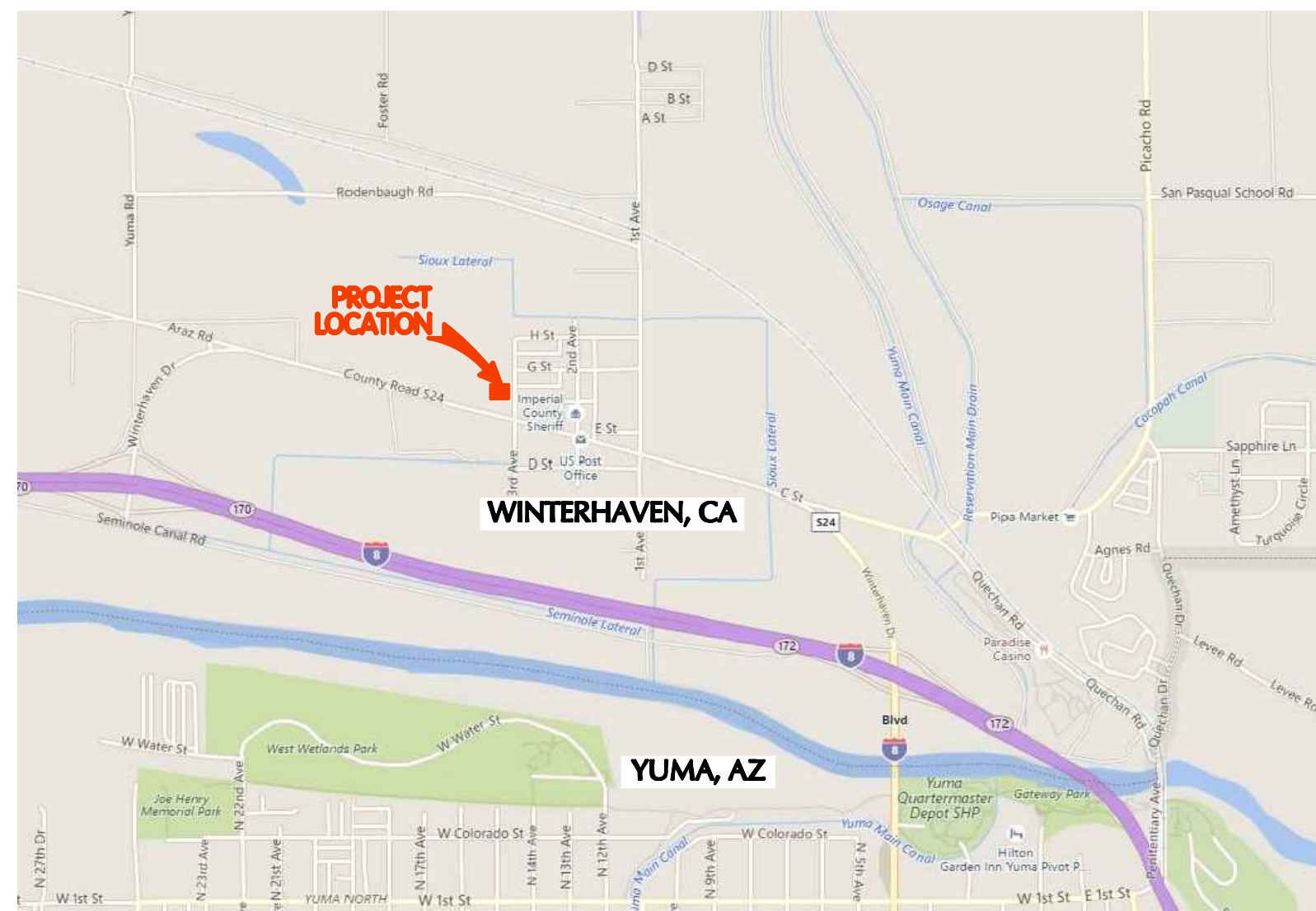


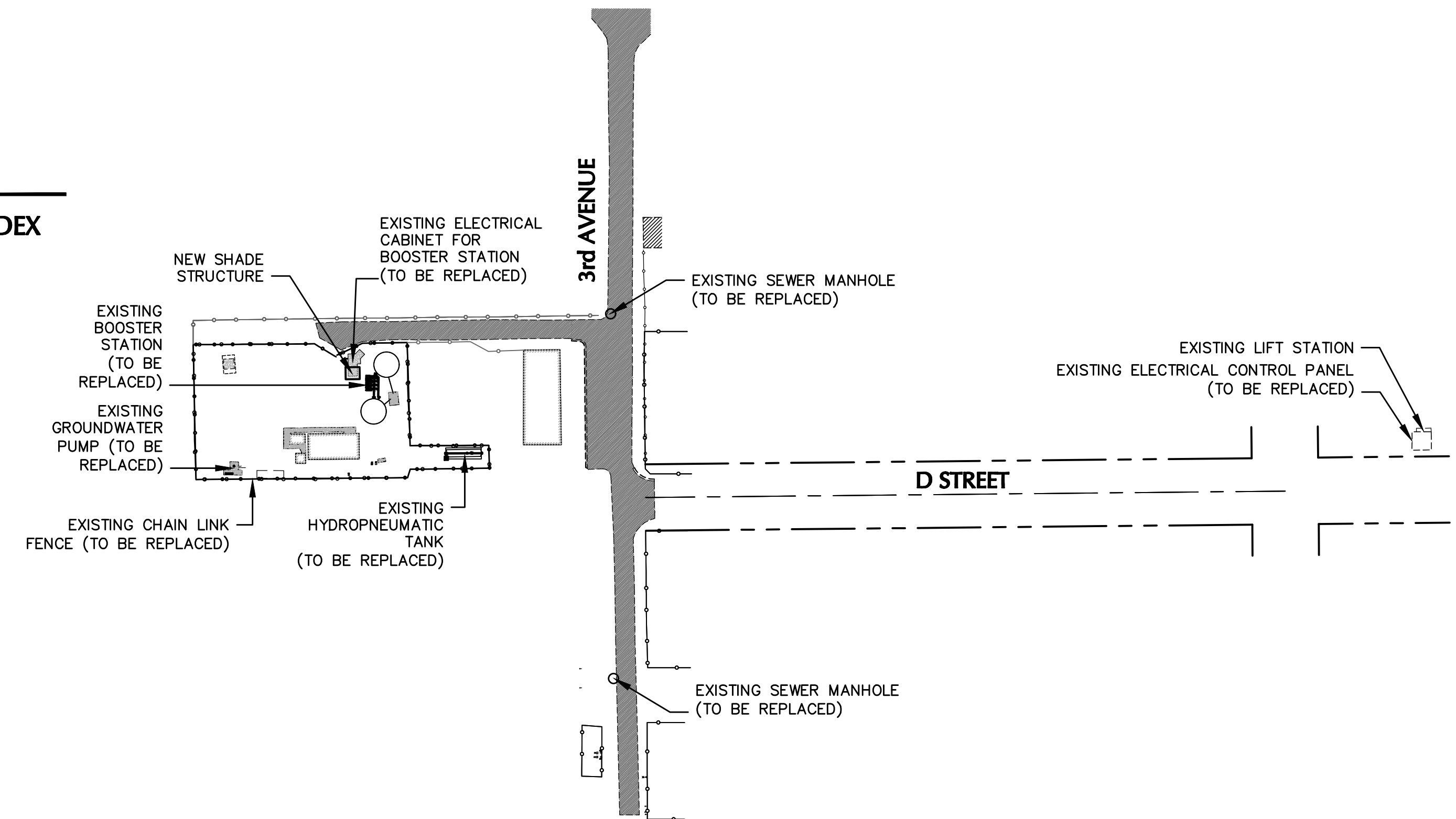
WINTERHAVEN WATER/SEWER IMPROVEMENT NOVEMBER 2016



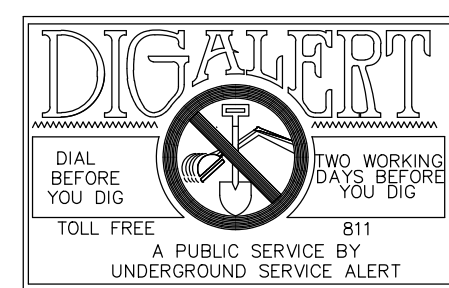
PROJECT LOCATION MAP
NTS

INDEX OF DRAWINGS

- T1 TITLE SHEET, VICINITY MAP, LOCATION MAP & INDEX
- C1 WATER PLANT DEMOLITION PLAN
- C2 WATER PLANT SITE PLAN
- C3 WATER PLANT IMPROVEMENT DETAILS
- C4 WATER PLANT IMPROVEMENT DETAILS
- C5 WATER PLANT IMPROVEMENT DETAILS
- C6 WATER PLANT IMPROVEMENT DETAILS
- C7 SEWER SYSTEM SITE PLAN
- C8 SEWER SYSTEM IMPROVEMENT DETAILS
- C9 WATER PLANT IMPROVEMENT DETAILS
- E-1 W.T.P. ELECTRICAL SITE PLAN
- E-2 W.T.P. ELECTRICAL ONE-LINE DIAGRAM
- E-3 LIFT STATION ELECTRICAL ONE-LINE DIAGRAM
- E-4 ELECTRICAL SPECIFICATIONS
- S-1.1 SHADE STRUCTURE STRUCTURAL PLAN
- S-1.2 TANK FOUNDATION
- TCP1 TRAFFIC CONTROL PLAN



VICINITY MAP
NTS



UTILITY WARNING

THE UNDERGROUND UTILITIES SHOWN HAVE BEEN LOCATED FROM FIELD SURVEY INFORMATION AND EXISTING DRAWINGS. THE SURVEYOR MAKES NO GUARANTEE THAT THE UNDERGROUND UTILITIES SHOWN COMPRISE ALL SUCH UTILITIES IN THE AREA, EITHER IN SERVICE OR ABANDONED. THE SURVEYOR FURTHER DOES NOT WARRANT THAT THE UNDERGROUND UTILITIES SHOWN ARE IN THE EXACT LOCATION INDICATED ALTHOUGH HE DOES CERTIFY THAT THEY ARE LOCATED AS ACCURATELY AS POSSIBLE FROM INFORMATION AVAILABLE. THE SURVEYOR HAS NOT PHYSICALLY LOCATED THE UNDERGROUND UTILITIES.



WINTERHAVEN WATER/SEWER IMPROVEMENT

TITLE SHEET

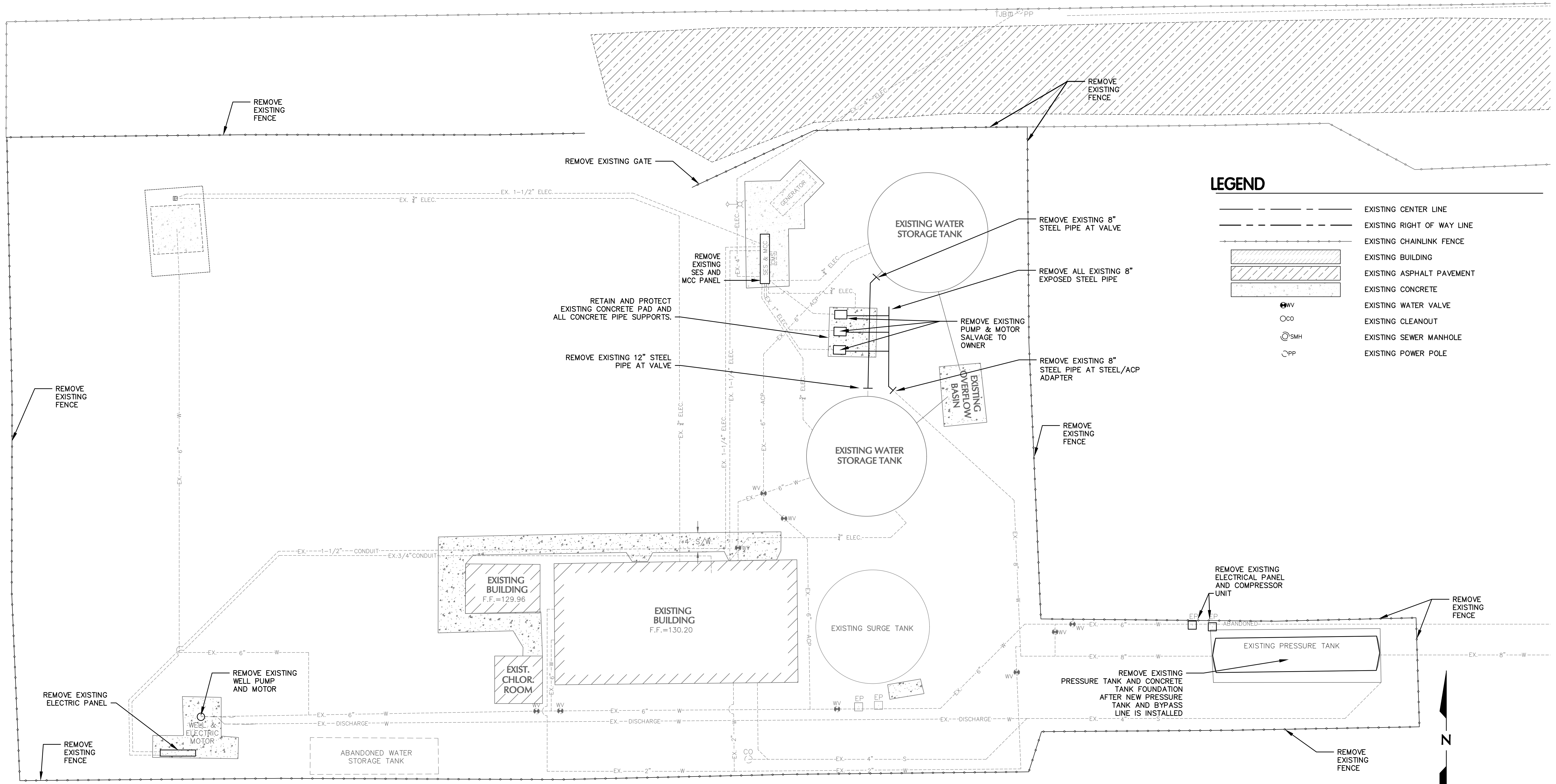


Nicklaus Engineering Inc.
1851 West 24th Street P.O. Box 6029
YUMA, ARIZONA 85364 (928)344-8374
Email: nei@nelaw.com

SCALE: AS SHOWN
DATE: NOV., 2016
DES. BY: EG
DRAWN BY: ZF
SURVEYED BY: RS
JOB. No.: 016-0039
SHEET 1 OF 17

T1

N:\2016\016-0039 Winterhaven WTP & Wastewater Improvements\DWG\016-0039 Winterhaven WTP IMP_T1_C04.dwg



LEGEND

- EXISTING CENTER LINE
- - - - EXISTING RIGHT OF WAY LINE
- - - - EXISTING CHAINLINK FENCE
- [Hatched Box] EXISTING BUILDING
- [Hatched Box] EXISTING ASPHALT PAVEMENT
- [Dotted Box] EXISTING CONCRETE
- WV EXISTING WATER VALVE
- CO EXISTING CLEANOUT
- SMH EXISTING SEWER MANHOLE
- PP EXISTING POWER POLE

NOTE:

PRIOR TO ANY DEMOLITION, TEMPORARY BYPASS PUMPING SHALL BE INSTALLED. BY-PASS PUMPING SHALL BE TEMPORARILY INSTALLED FROM THE STORAGE TANK OVERFLOW/DRAIN LINE TO THE EXISTING FIRE HYDRANT LOCATED ON 3RD AVENUE AND D STREET TO ISOLATE THE EXISTING HYDRONEUMATIC TANK FROM THE DISTRIBUTION SYSTEM. IMMEDIATELY UPON REMOVAL OF THE EXISTING HYDRONEUMATIC TANK, BYPASS PUMPING SHALL BE ESTABLISHED FROM THE STORAGE TANK OVERFLOW/DRAIN LINE TO THE ABOVE GROUND VALVE LOCATED EAST OF THE EXISTING HYDRONEUMATIC TANK. BIPASS PUMPING SHALL REMAIN IN PLACE UNTIL SUBSTANTIAL COMPLETION AND SHALL AT MINIMUM DELIVER 1000 GALLONS PER MINUTE AT 80' TDH AND SHALL OPERATE BELOW A MAXIMUM PRESSURE OF 75 PSI. A BYPASS PUMPING PLAN SHALL BE SUBMITTED TO OWNER AND APPROVED BY OWNER PRIOR TO THE START OF DEMOLITION ACTIVITIES.

WINTERHAVEN WATER/SEWER IMPROVEMENT

WATER PLANT DEMOLITION PLAN

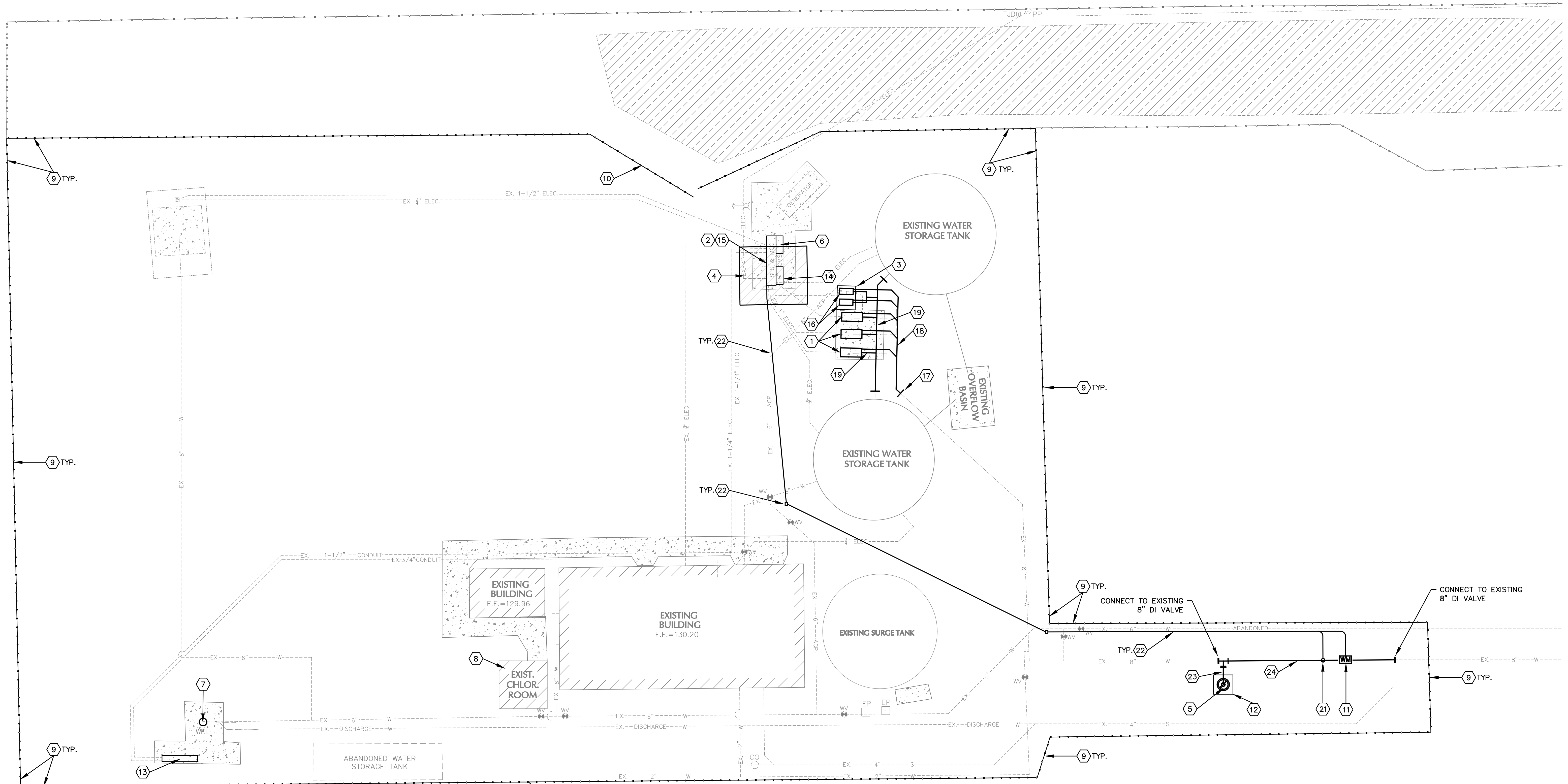
NEI
Nicklaus Engineering Inc.
 1851 West 24th Street P.O. Box 6029
 YUMA, ARIZONA 85364 (928)344-8374
 Email: nei@nelaw.com

SCALE: AS SHOWN
 DATE: NOV., 2016
 DES. BY: EG
 DRAWN BY: ZF
 SURVEYED BY: RS
 JOB. No.: 016-0039
 SHEET 2 OF 17



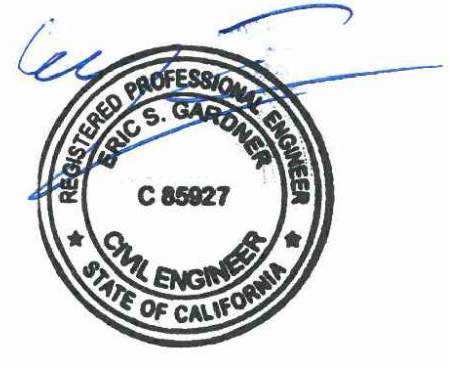
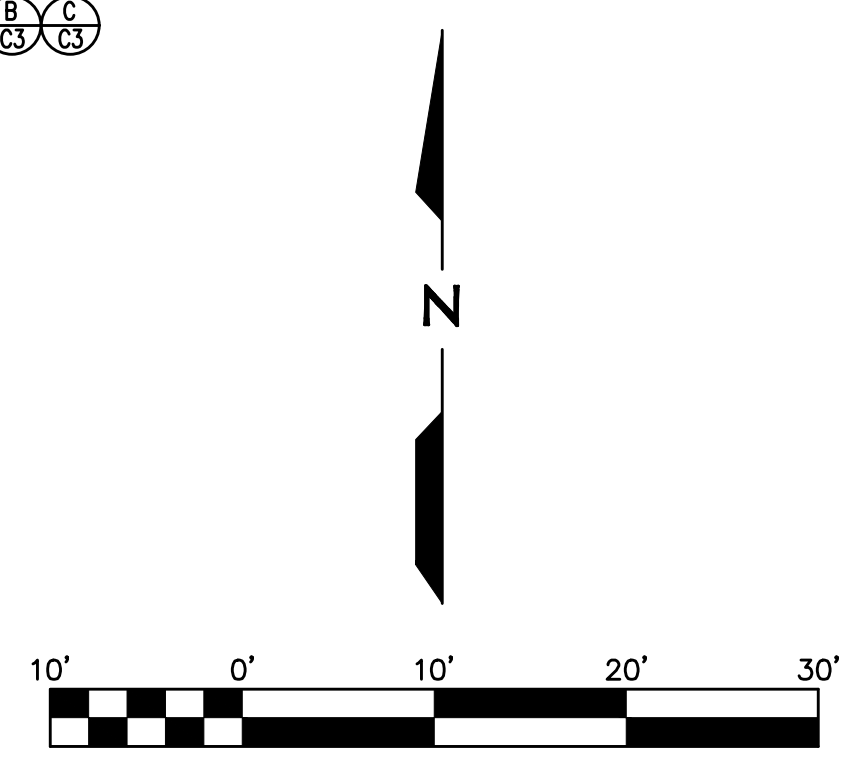
THE USE OF THESE PLANS AND SPECIFICATIONS SHALL BE RESTRICTED TO THE ORIGINAL SITE FOR WHICH THEY WERE PREPARED AND PUBLICATION THEREOF IS EXPRESSLY LIMITED TO SUCH USE. REUSE, REPRODUCTION, OR PUBLICATION BY ANY METHOD, IN WHOLE OR IN PART IS PROHIBITED. TITLE TO THE PLANS AND SPECIFICATIONS REMAINS WITH THE ENGINEER WITHOUT PREJUDICE. VISUAL CONTACT WITH THESE PLANS AND SPECIFICATIONS SHALL CONSTITUTE PRIMA FACIE EVIDENCE OF THESE RESTRICTIONS.

N:\2016\016-0039 Winterhaven WTP & Wastewater Improvements\DWG\016-0039 Winterhaven WTP IMP_T1_C4.dwg



SCHEDULE OF WORK

- | | |
|---|---|
| <p>1 PROVIDE NEW 20 HP PUMPS. SEE PUMP SCHEDULE ON SHEET C3. SEE DETAIL (A/C3)</p> <p>2 PROVIDE NEW SES AND MCC WITH INTEGRATED PROGRAMMABLE LOGIC CONTROLLER. SEE ELECTRICAL. SEE DETAIL (A/C3)</p> <p>3 PROVIDE NEW CONCRETE PAD AND PUMP PEDESTALS. SEE DETAIL (A/C3, B/C3)</p> <p>4 PROVIDE A NEW 14'X12' SHADE STRUCTURE. SEE DETAIL (A/C3)</p> <p>5 PROVIDE NEW 800 GALLON FXA 3000L HYDRO-TANK BY WESSELLS OR APPROVED EQUAL. ANCHOR TANK TO FOUNDATION. SEE SHEET S-1.1. SEE DETAILS (B/C3, C/C3)</p> <p>6 PROVIDE NEW AUTO DIALER SYSTEM. SEE ELECTRICAL. SEE DETAIL (A/C3)</p> <p>7 REPLACE EXISTING VERTICAL TURBINE PUMP IN WELL NO. 2 WITH NEW 15 HP 7" SUBMERSIBLE PUMP 400 GPM AT 90 FEET TDH BERKLEY 71-450 OR EQUIVALENT. SEE DETAILS (B/C3, C/C3)</p> <p>8 PROVIDE NEW HORIZON PTF-60 VENTILATION SYSTEM IN EXISTING CHLORINE ROOM. SEE DETAIL (A/C4)</p> <p>9 REPLACE EXISTING PERIMETER CHAINLINK FENCING WITH NEW 8' CHAINLINK FENCING. SEE DETAIL (B/C4, C/C4)</p> <p>10 REPLACE EXISTING CHAINLINK GATE WITH NEW 8' CHAINLINK GATE. SEE DETAIL (B/C4, C/C4)</p> <p>11 PROVIDE NEW 8" MICROMETER ULTRA MAG TOTALIZING FLOW METER OR APPROVED EQUAL. CONNECT TO PLC. SEE DETAIL (A/C3)</p> <p>12 PROVIDE NEW 6'x6' CONCRETE TANK FOUNDATION AND EMBEDDED TANK ANCHOR BOLTS. SEE STRUCTURAL FOR FOUNDATION & ANCHORAGE DETAILS. SEE DETAIL (A/C3)</p> <p>13 PROVIDE NEW ELECTRICAL CABINET FOR SUBMERSIBLE PUMP. SEE ELECTRICAL. SEE DETAIL (A/C3)</p> <p>14 PROVIDE 2 NEW 28A, 7.5KW, 10HP VARIABLE FREQUENCY DRIVES. EATON EGS-023-2-A-3-1H6320 OR APPROVED EQUAL. SEE DETAIL (A/C3)</p> <p>15 PROVIDE NEW PROGRAMMABLE LOGIC CONTROLLER. MICROLOGIX CONTROLLER BY ROCKWELL OR APPROVED EQUAL. SEE PLC PARAMETERS ON SHEET C3 FOR PUMP CONTROL PARAMETERS. SEE DETAIL (A/C3)</p> | <p>16 PROVIDE NEW 10 HP INVERTER DUTY PUMPS. SEE DETAIL (A/C3, B/C3, C/C3)</p> <p>17 INSTALL NEW 8" CEMENT MORTAR LINED, FLANGED, DUCTILE IRON/ASBESTOS CONCRETE PIPE ADAPTER. SEE DETAIL (A/C3)</p> <p>18 INSTALL NEW 8" CEMENT MORTAR LINED, FLANGED, DUCTILE IRON PIPE DISCHARGE HEADER. SEE DETAIL (A/C3)</p> <p>19 INSTALL NEW 8" CEMENT MORTAR LINED, FLANGED, DUCTILE IRON PIPE SUCTION HEADER. SEE DETAIL (A/C3)</p> <p>20 INSTALL ALL NEW PUMP DISCHARGE AND SUCTION PIPING PER DETAIL A ON SHEET 3. ALL PIPE SHALL BE CEMENT MORTAR LINED & COATED WITH FUSION BONDED EPOXY. SEE DETAILS (A/C3, B/C3, C/C3)</p> <p>21 INSTALL NEW 4MA-20MA RANGEABLE PRESSURE TRANSMITTER. OMEGA PX5100 OR APPROVED EQUAL. SEE DETAIL (A/C3)</p> <p>22 PROVIDE NEW 3/4" ELECTRICAL CONDUIT AND ELECTRICAL PULL BOXES. SEE ELECTRICAL SHEETS. SEE DETAIL (A/C3)</p> <p>23 NEW 4" CEMENT MORTAR LINED, FLANGED, DUCTILE IRON PIPE. CONNECT TO NEW HYDRO-TANK. SEE DETAIL (A/C3)</p> <p>24 NEW 8" CEMENT MORTAR LINED, FLANGED, DUCTILE IRON PIPE. SEE DETAIL (A/C3)</p> <p>NEW 8"x8"x4" CEMENT MORTAR LINED DUCTILE IRON TEE. SEE DETAIL (A/C3)</p> |
|---|---|



WINTERHAVEN WATER/SEWER IMPROVEMENT

| | |
|--|---|
| <p>Nicklaus Engineering Inc. 1851 West 24th Street P.O. Box 6029 YUMA, ARIZONA 85364 (928)344-8374 Email: nei@nelaw.com</p> | <p>SCALE: AS SHOWN</p> <p>DATE: NOV., 2016</p> <p>DES. BY: EG</p> <p>DRAWN BY: ZF</p> <p>SURVEYED BY: RS</p> <p>JOB. No.: 016-0039</p> <p>SHEET 3 OF 17</p> |
| | C2 |

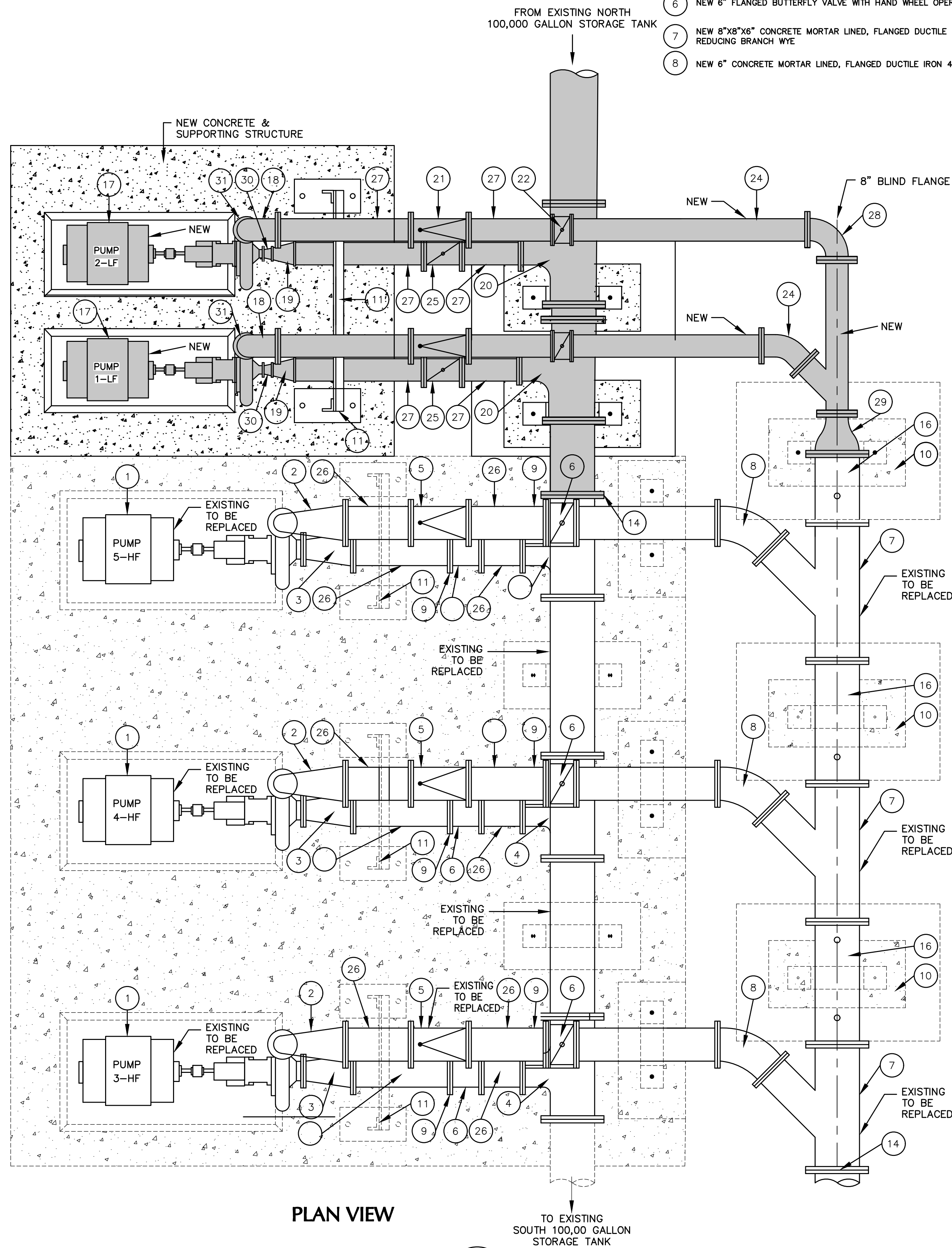
THE USE OF THESE PLANS AND SPECIFICATIONS SHALL BE RESTRICTED TO THE ORIGINAL SITE FOR WHICH THEY WERE PREPARED AND PUBLICATION THEREOF IS EXPRESSLY LIMITED TO SUCH USE. REUSE, REPRODUCTION, OR PUBLICATION BY ANY METHOD, IN WHOLE OR IN PART IS PROHIBITED. TITLE TO THE PLANS AND SPECIFICATIONS REMAINS WITH THE ENGINEER WITHOUT PREJUDICE. VISUAL CONTACT SHALL CONSTITUTE PRIMA FACIE EVIDENCE OF THE ACCEPTANCE OF THESE RESTRICTIONS.

- 1 NEW 20 HP FRAME MOUNTED END SUCTION CENTRIFUGAL PUMP
- 2 NEW 6" TO 3" CONCRETE MORTAR LINED, FLANGED DUCTILE IRON 90° LONG RADIUS REDUCING BEND
- 3 NEW 6" TO 4" CONCRETE MORTAR LINED, FLANGED DUCTILE IRON ECCENTRIC REDUCER
- 4 NEW 8"x8"x6" FLANGED REDUCING BRANCH TEE
- 5 NEW 6" FLANGED CHECK VALVE (VAL-MATIC MODEL 1808-H WITH HEAVY DUTY SPRING)
- 6 NEW 6" FLANGED BUTTERFLY VALVE WITH HAND WHEEL OPERATOR
- 7 NEW 8"x8"x6" CONCRETE MORTAR LINED, FLANGED DUCTILE IRON 45° REDUCING BRANCH WYE
- 8 NEW 6" CONCRETE MORTAR LINED, FLANGED DUCTILE IRON 45° BEND

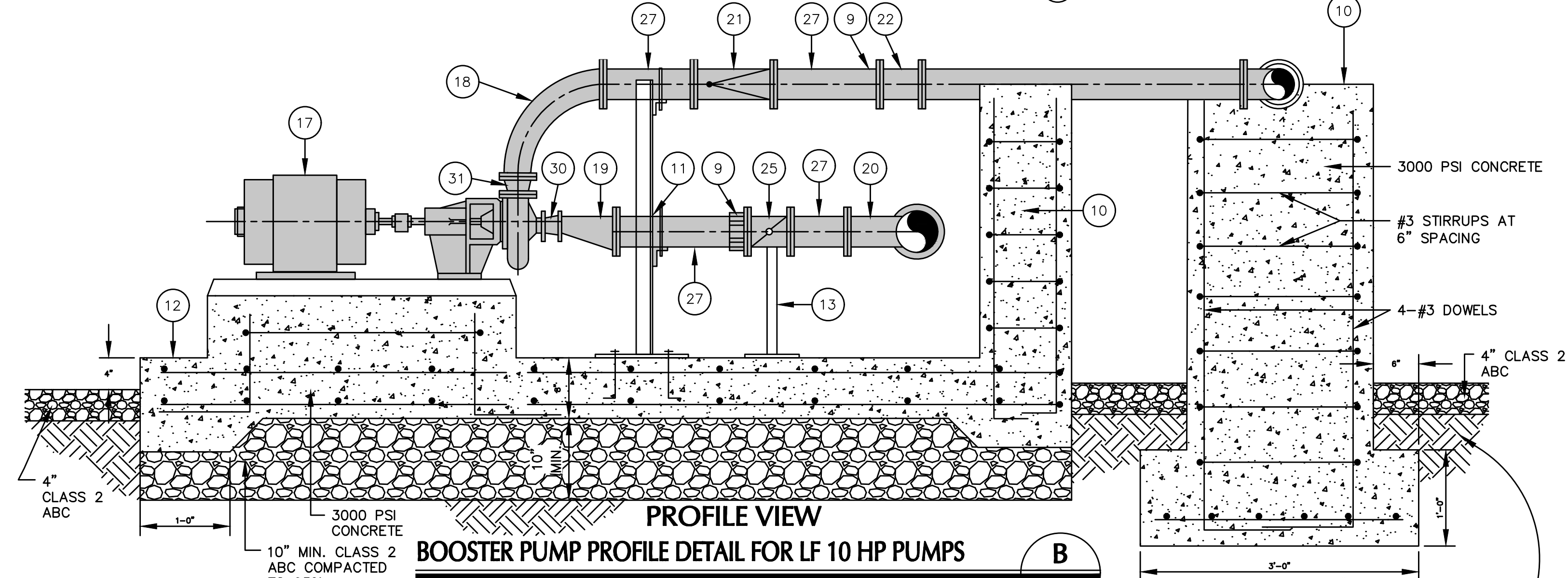
- 9 NEW UNI-FLANGE
- 10 NEW CONCRETE PIPE SUPPORT
- 11 NEW STEEL PIPE SUPPORT
- 12 NEW CONCRETE FOUNDATION SLAB (3000 PSI)
- 13 NEW VALVE SUPPORT - 3" DIA. SCHEDULE 40 STEEL PIPE WELDED TO 7"x7"x1/4" STEEL BASE PLATE
- 14 REMOVE EXISTING BLIND FLANGE AND CONNECT TO NEW PIPING
- 15 NOT USED
- 16 NEW 8" CONCRETE MORTAR LINED, FLANGED DUCTILE IRON PIPE

- 17 NEW 10 HP FRAME MOUNTED END SUCTION CENTRIFUGAL PUMP
- 18 NEW 4" TO 2-1/2" CONCRETE MORTAR LINED, FLANGED DUCTILE IRON 90° LONG RADIUS REDUCING BEND
- 19 NEW 4" TO 2" CONCRETE MORTAR LINED, FLANGED DUCTILE IRON ECCENTRIC REDUCER
- 20 NEW 8"x8"x4" FLANGED REDUCING BRANCH TEE
- 21 NEW 4" FLANGED CHECK VALVE (VAL-MATIC MODEL 1808-H WITH HEAVY DUTY SPRING)
- 22 NEW 4" FLANGED BUTTERFLY VALVE WITH HAND WHEEL OPERATOR
- 23 NEW 8"x8"x4" CONCRETE MORTAR LINED, FLANGED DUCTILE IRON 45° REDUCING BRANCH WYE

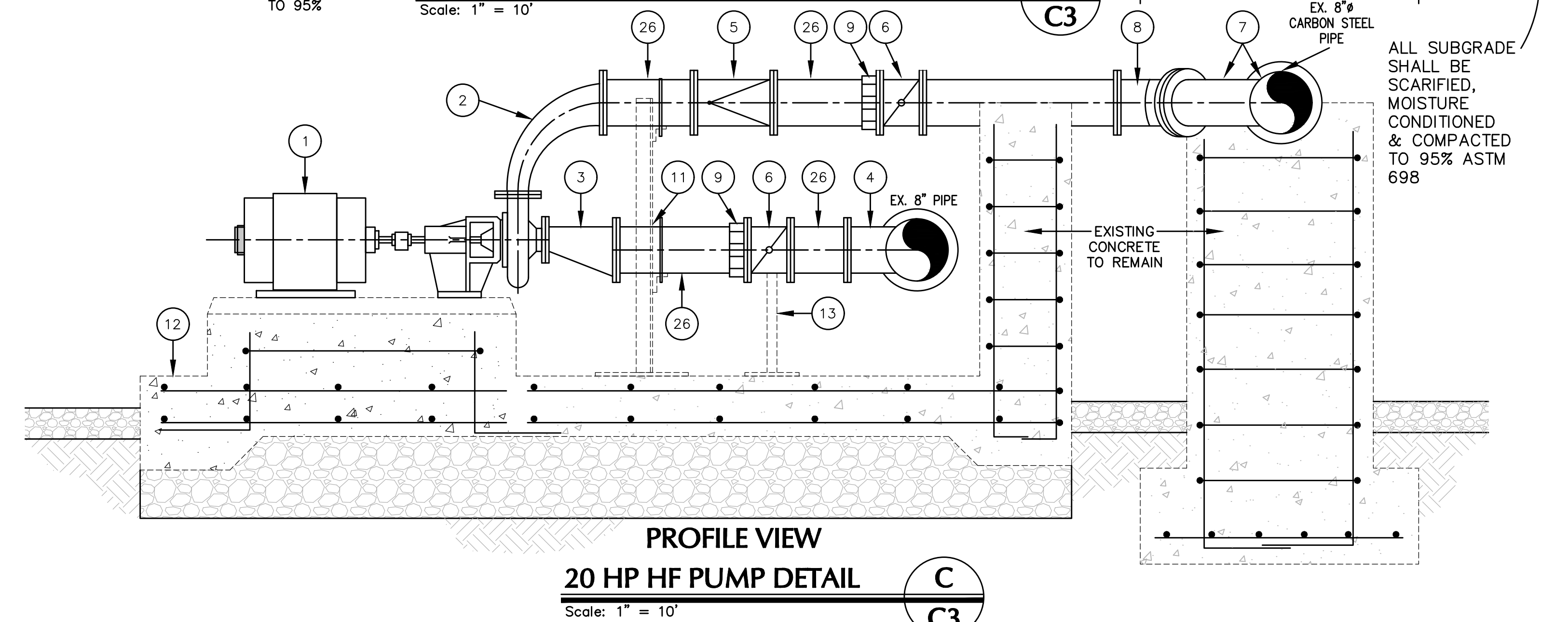
- 24 NEW 4" CONCRETE MORTAR LINED, FLANGED DUCTILE IRON 45° BEND
- 25 NEW 4" FLANGED BUTTERFLY VALVE WITH HAND WHEEL OPERATOR
- 26 NEW 6" CONCRETE MORTAR LINED, FLANGED DUCTILE IRON PIPE
- 27 NEW 4" CONCRETE MORTAR LINED, FLANGED DUCTILE IRON PIPE
- 28 NEW 4" CONCRETE MORTAR LINED 90° BEND
- 29 NEW 8" TO 4" CONCRETE MORTAR LINED REDUCER
- 30 NEW 2" TO 1-1/2" FLANGED DUCTILE IRON REDUCER
- 31 NEW 2-1/2" TO 1-1/4" FLANGED DUCTILE IRON REDUCER



Pressure Booster Pump
Scale: 1" = 10'
A
C3



BOOSTER PUMP PROFILE DETAIL FOR LF 10 HP PUMPS
Scale: 1" = 10'
B
C3



20 HP HF PUMP DETAIL
Scale: 1" = 10'
C
C3

| PUMP | HP | Hz | PHASE | V | SHUTOFF | | DESIGN | | MAX OPERATING | | SPEED | SIZE | | IMPELLER | MANUFACTURER/MODEL (OR EQUAL) |
|-------|----|----|-------|-----|----------|------------|----------|------------|---------------|------------|-------|-----------------|--------------|----------|-------------------------------|
| | | | | | TDH (FT) | FLOW (GPM) | TDH (FT) | FLOW (GPM) | TDH (FT) | FLOW (GPM) | | MAX RATED (RPM) | SUCTION (IN) | | |
| 1-LF* | 10 | 60 | 3 | 230 | 188 | 0 | 159 | 135 | 138 | 175 | 1302 | 1.5 | 1.25 | 7.10 | PACO 2070-9 LF |
| 2-LF* | 10 | 60 | 3 | 230 | 188 | 0 | 159 | 135 | 138 | 175 | 1302 | 1.5 | 1.25 | 7.10 | PACO 2070-9 LF |
| 3-HF | 20 | 60 | 3 | 230 | 135 | 0 | 100 | 550 | 69 | 730 | 3550 | 4 | 3 | 5.87 | PACO 3070-7 LF |
| 4-HF | 20 | 60 | 3 | 230 | 135 | 0 | 100 | 550 | 69 | 730 | 3550 | 4 | 3 | 5.87 | PACO 3070-7 LF |
| 5-HF | 20 | 60 | 3 | 230 | 135 | 0 | 100 | 550 | 69 | 730 | 3550 | 4 | 3 | 5.87 | PACO 3070-7 LF |

* 1-LF & 2-LF SHALL BE VARIABLE FREQUENCY PUMPS WITH INVERTER DUTY MOTORS.

PUMP SCHEDULE
D
C3



WINTERHAVEN WATER/SEWER IMPROVEMENT

WATER PLANT IMPROVEMENTS DETAILS



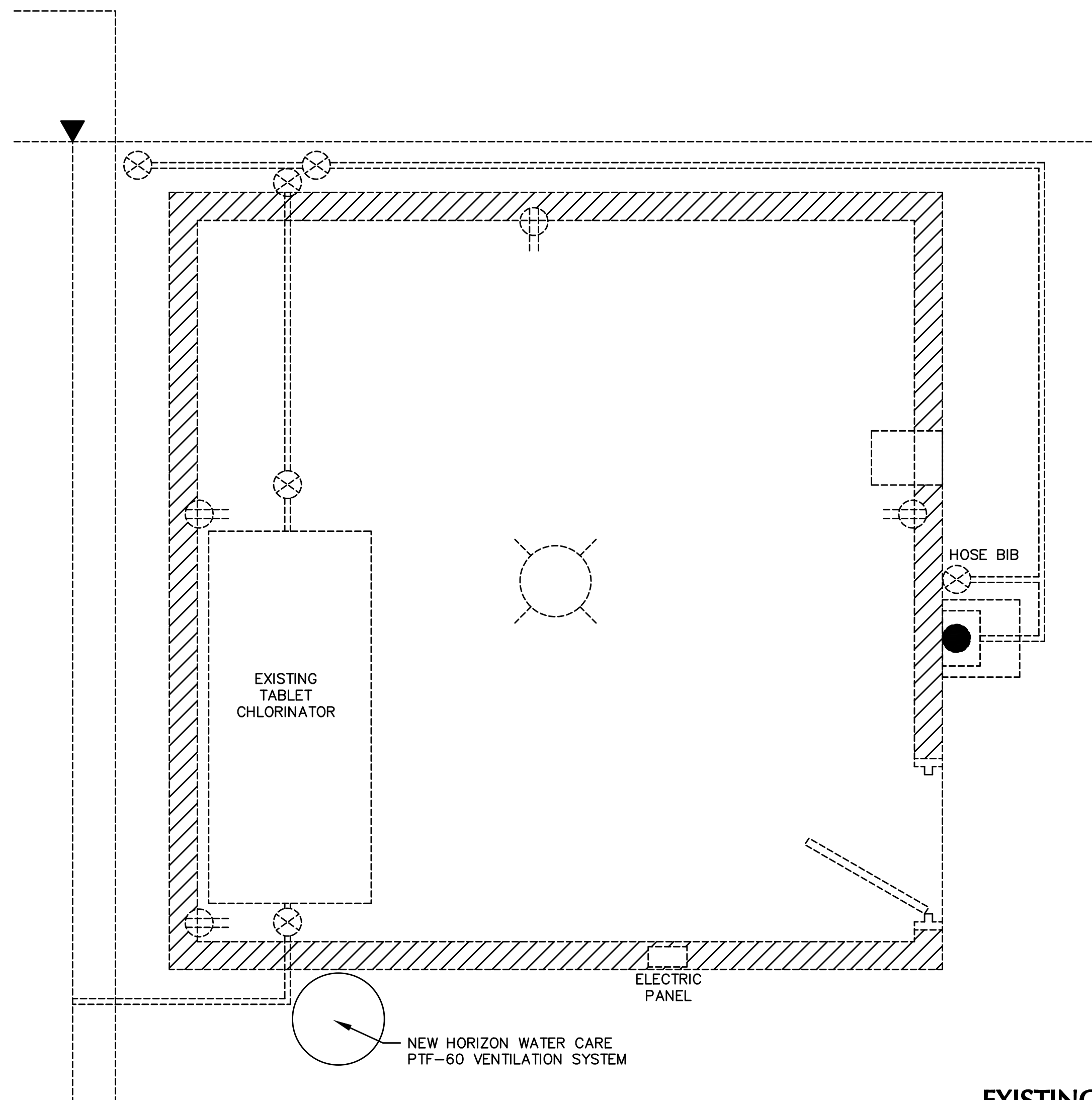
Nicklaus Engineering Inc.
1851 West 24th Street P.O. Box 6029
YUMA, ARIZONA 85364 (928)344-8374
Email: nei@nelaw.com

SCALE: AS SHOWN
DATE: NOV., 2016
DES. BY: EG
DRAWN BY: ZF
SURVEYED BY: RS
JOB No.: 016-0039
SHEET 4 OF 17

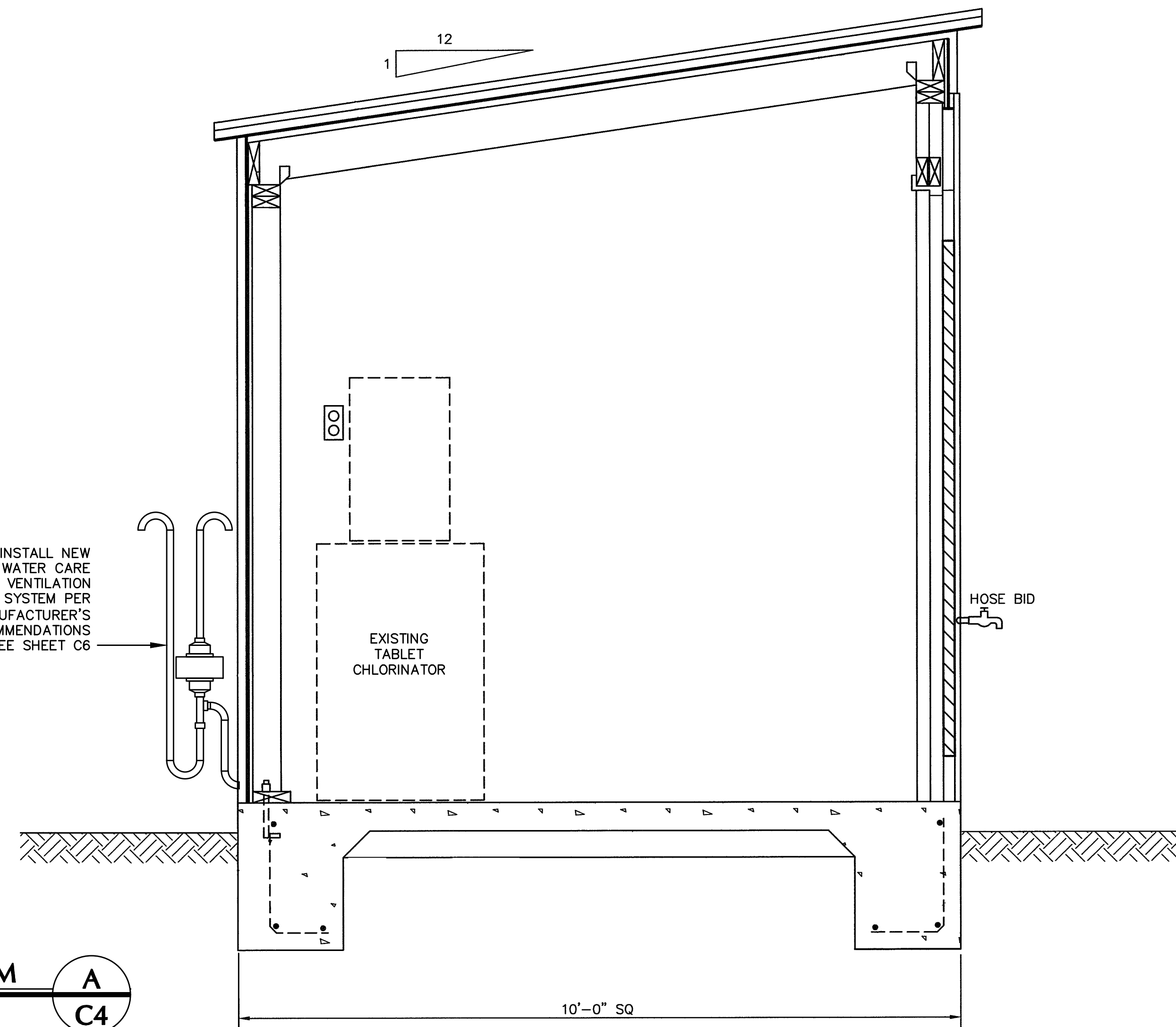
C3

N:\2016\016-0039 Winterhaven WTP & Wastewater Improvements\DWG\016-0039 Winterhaven WTP - IMP_TL_C04.dwg

THE USE OF THESE PLANS AND SPECIFICATIONS SHALL BE RESTRICTED TO THE ORIGINAL SITE FOR WHICH THEY WERE PREPARED AND PUBLICATION THEREOF IS EXPRESSLY LIMITED TO SUCH USE. REUSE, REPRODUCTION, OR PUBLICATION BY ANY METHOD, IN WHOLE OR IN PART IS PROHIBITED. VISUAL CONTACT WITH THESE PLANS AND SPECIFICATIONS SHALL CONSTITUTE PRIMA FACIE EVIDENCE OF THE ACCEPTANCE OF THESE RESTRICTIONS.



INSTALL NEW HORIZON WATER CARE PTF-60 VENTILATION SYSTEM PER MANUFACTURER'S RECOMMENDATIONS SEE SHEET C6



EXISTING CHLORINE ROOM

SCALE: 1/8"=1'-0"

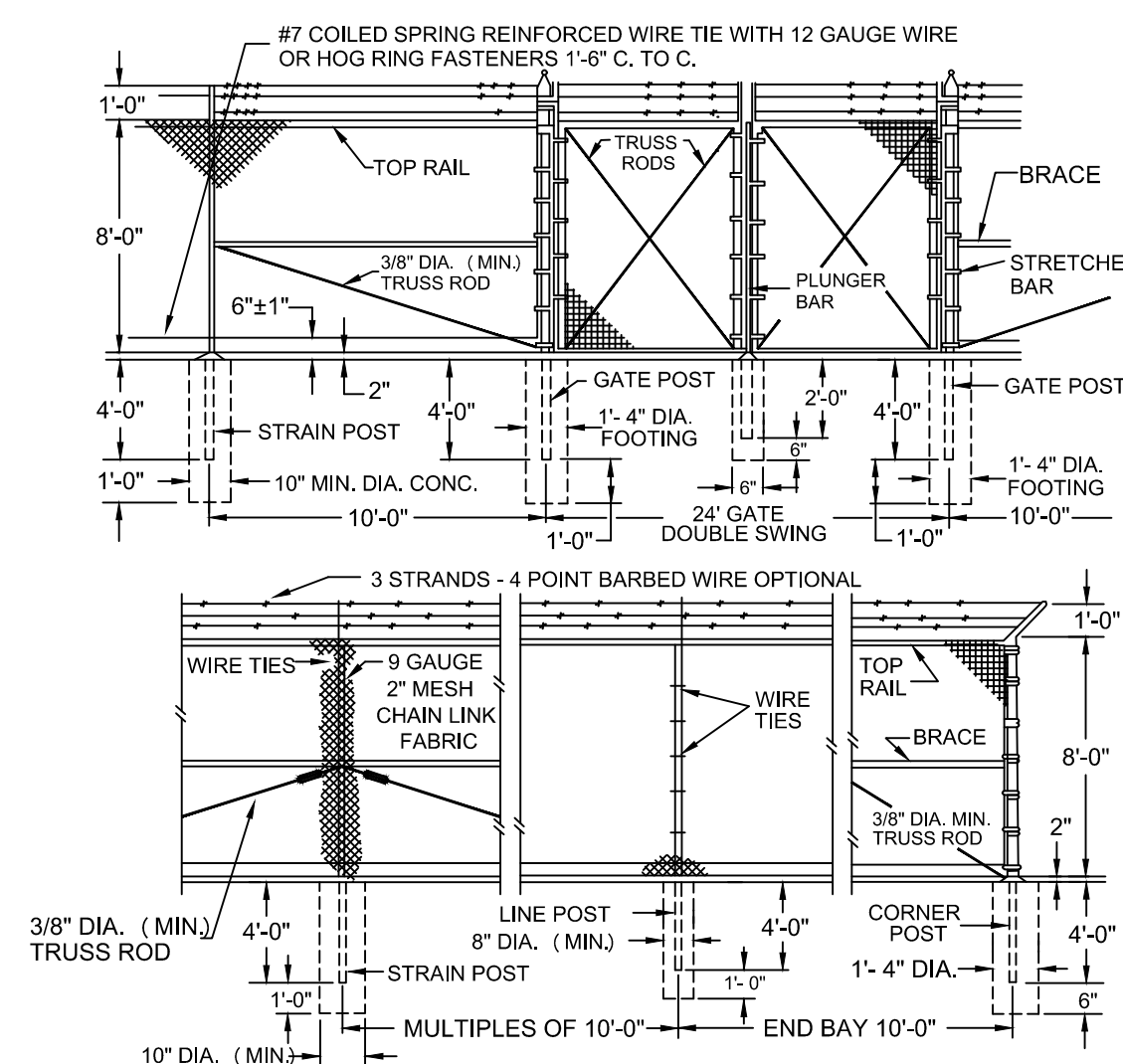
A
C4

| MEMBER | SIZE | WT. PER LF |
|----------------|-----------------------------------|------------|
| 1. CORNER POST | 2 1/2" I.D. STD. PIPE SCHEDULE 40 | 5.79 |
| 2. LINE POST | 1 1/2" I.D. STD. PIPE SCHEDULE 40 | 2.72 |
| 3. STRAIN POST | 2 1/2" I.D. STD. PIPE SCHEDULE 40 | 5.79 |
| 4. BRACE | 1 1/4" I.D. STD. PIPE SCHEDULE 40 | 2.27 |
| 5. STRETCH BAR | 1/4"X3/4" FLAT | |
| 6. GATE POST | 3 1/2" I.D. STD. PIPE SCHEDULE 40 | 9.11 |
| 7. TOP RAIL | 1 1/4" I.D. STD. PIPE SCHEDULE 40 | 2.27 |

NOTES

- ALL CONCRETE SHALL BE CLASS "B".
- FENCE FABRIC SHALL BE 9 GAUGE / 2" MESH CHAIN LINK.
- STRAIN POSTS SHALL BE SPACED AT 500' INTERVALS (MAXIMUM).
- BOTH CORNER AND STRAIN POSTS SHALL HAVE AT LEAST ONE STRAIN PANEL.
- ALL POSTS SHALL BE CAPPED AND PLUMB.
- FENCE SHALL NOT EXTEND INTO VISIBILITY TRIANGLES AT ALLEYS, DRIVEWAYS AND STREET INTERSECTIONS.
- FENCE BUILT IN FRONT YARD SETBACKS SHALL HAVE A MAXIMUM HEIGHT OF 3' MEASURED FROM BACK OF SIDEWALK.

8' CHAINLINK FENCE AND GATE



B
C4

N:\2016\016-0039 Winterhaven WTP & Wastewater Improvements\DWG\016-0039 Winterhaven WTP IMP_T1_C4.dwg



WINTERHAVEN WATER/SEWER IMPROVEMENT

WATER PLANT IMPROVEMENTS

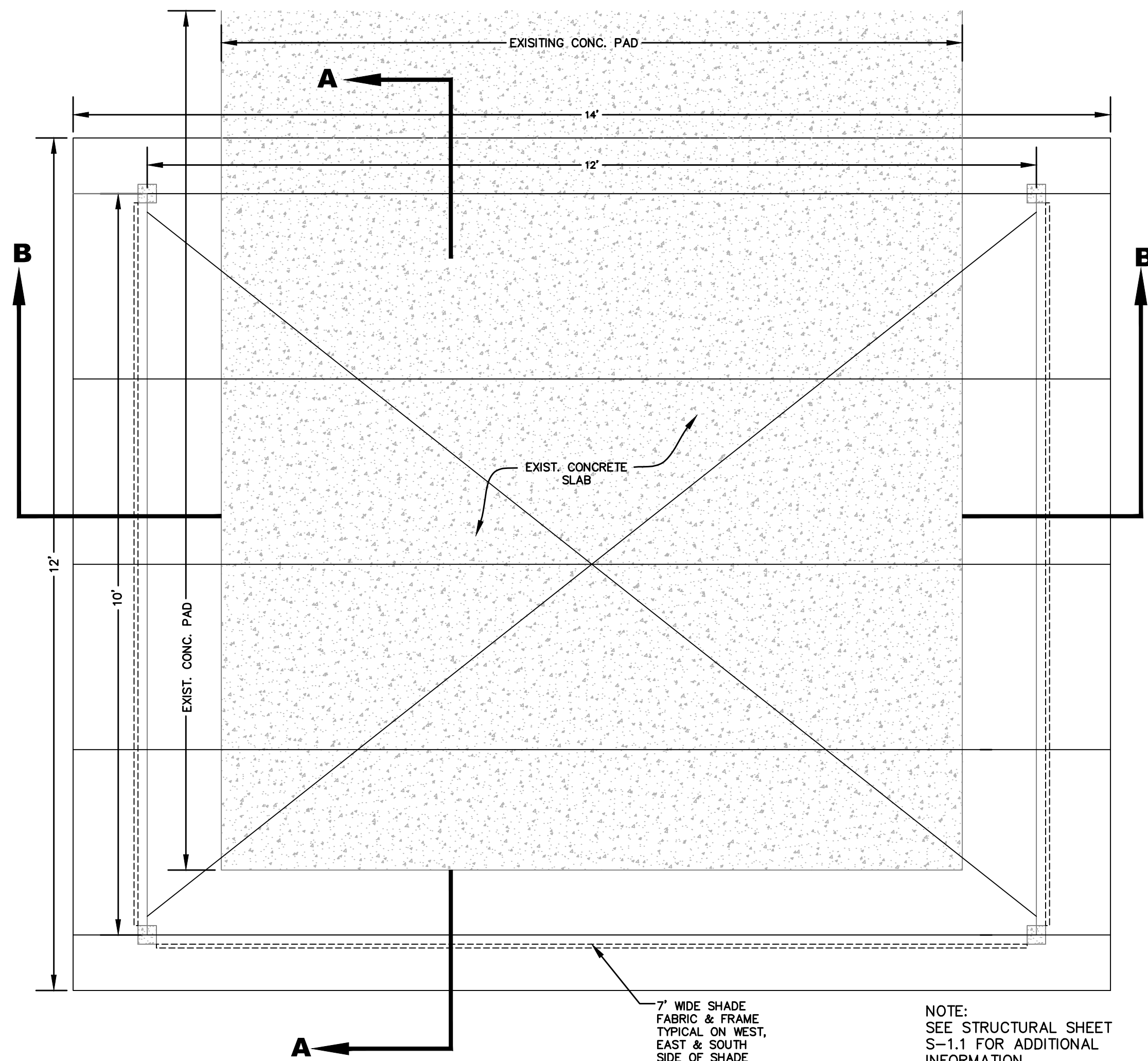


Nicklaus Engineering Inc.
1851 West 24th Street P.O. Box 6029
YUMA, ARIZONA 85364 (928)344-8374
Email: nei@nelaw.com

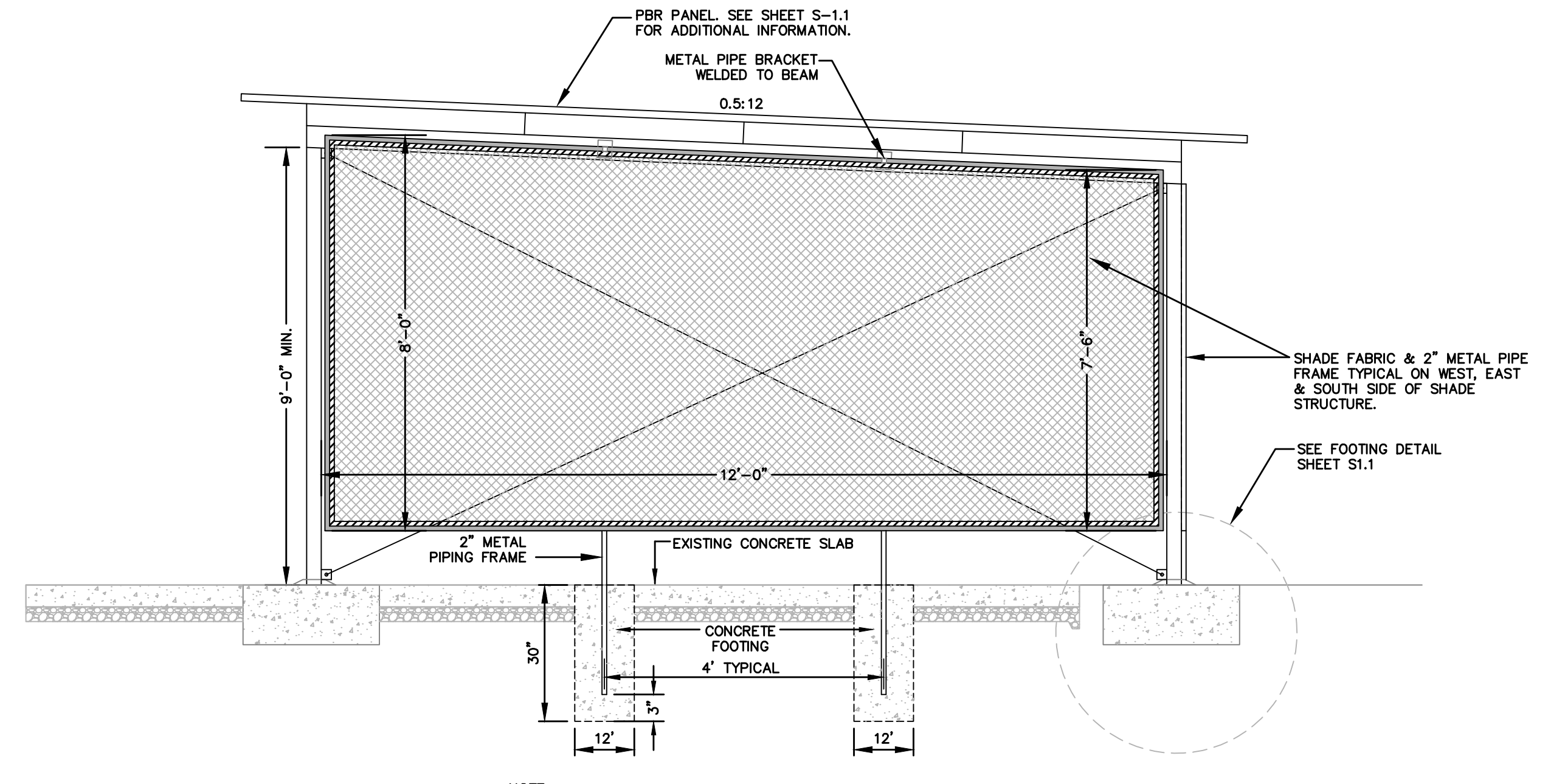
SCALE: AS SHOWN
DATE: NOV., 2016
DES. BY: EG
DRAWN BY: ZF
SURVEYED BY: RS
JOB No.: 016-0039
SHEET 5 OF 17

C4

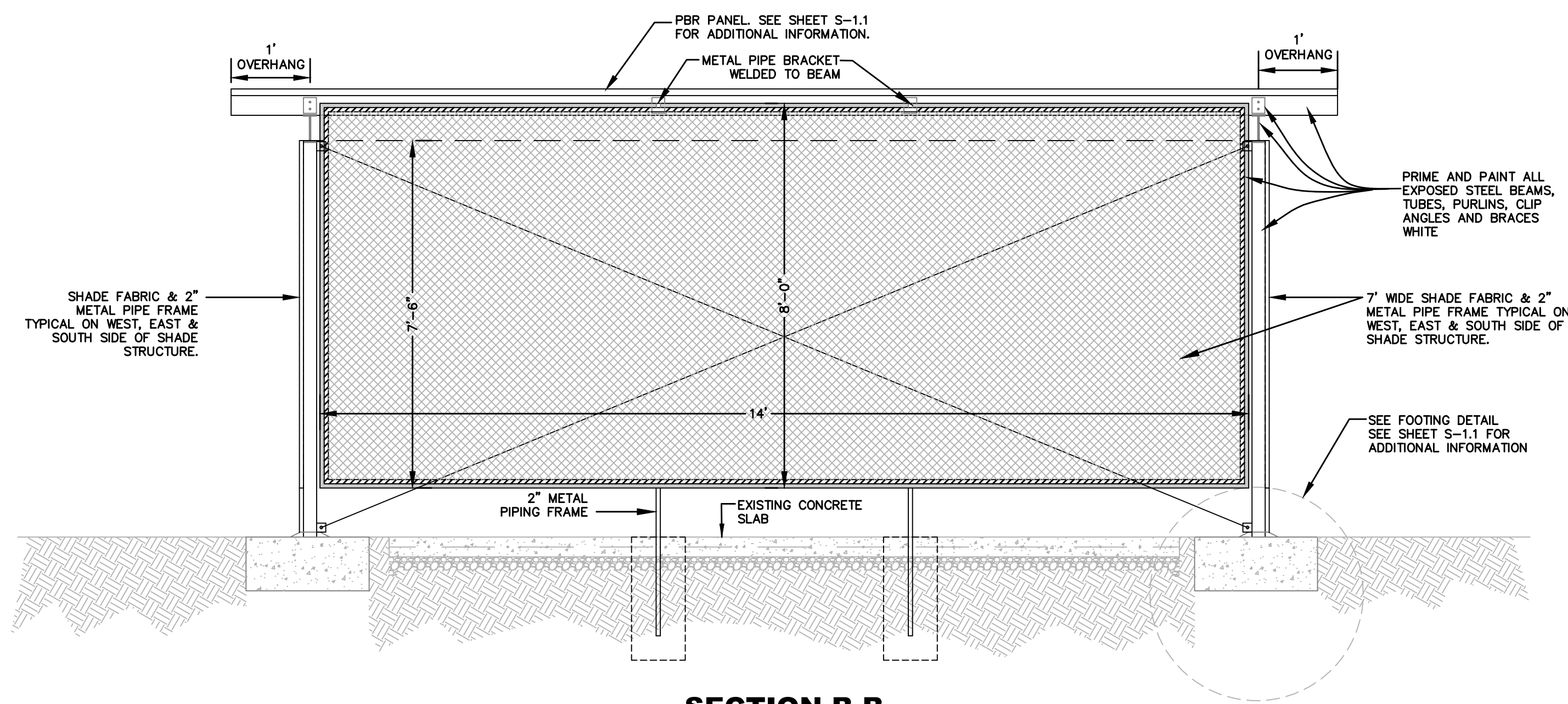
THE USE OF THESE PLANS AND SPECIFICATIONS SHALL BE RESTRICTED TO THE ORIGINAL SITE FOR WHICH THEY WERE PREPARED AND PUBLICATION THEREOF IS EXPRESSLY LIMITED TO SUCH USE. REUSE, REPRODUCTION, OR PUBLICATION BY ANY METHOD, IN WHOLE OR IN PART IS PROHIBITED. TITLE TO THE PLANS AND SPECIFICATIONS REMAINS WITH THE ENGINEER WITHOUT PREJUDICE. VISUAL CONTACT WITH THESE PLANS AND SPECIFICATIONS SHALL CONSTITUTE PRIMA FACIE EVIDENCE OF THE ACCEPTANCE OF THESE RESTRICTIONS.



PLAN VIEW



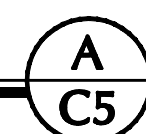
SECTION A-A



SECTION B-B

Shade Structure

N.T.S.



WINTERHAVEN WATER/SEWER IMPROVEMENT

WATER PLANT IMPROVEMENT DETAILS

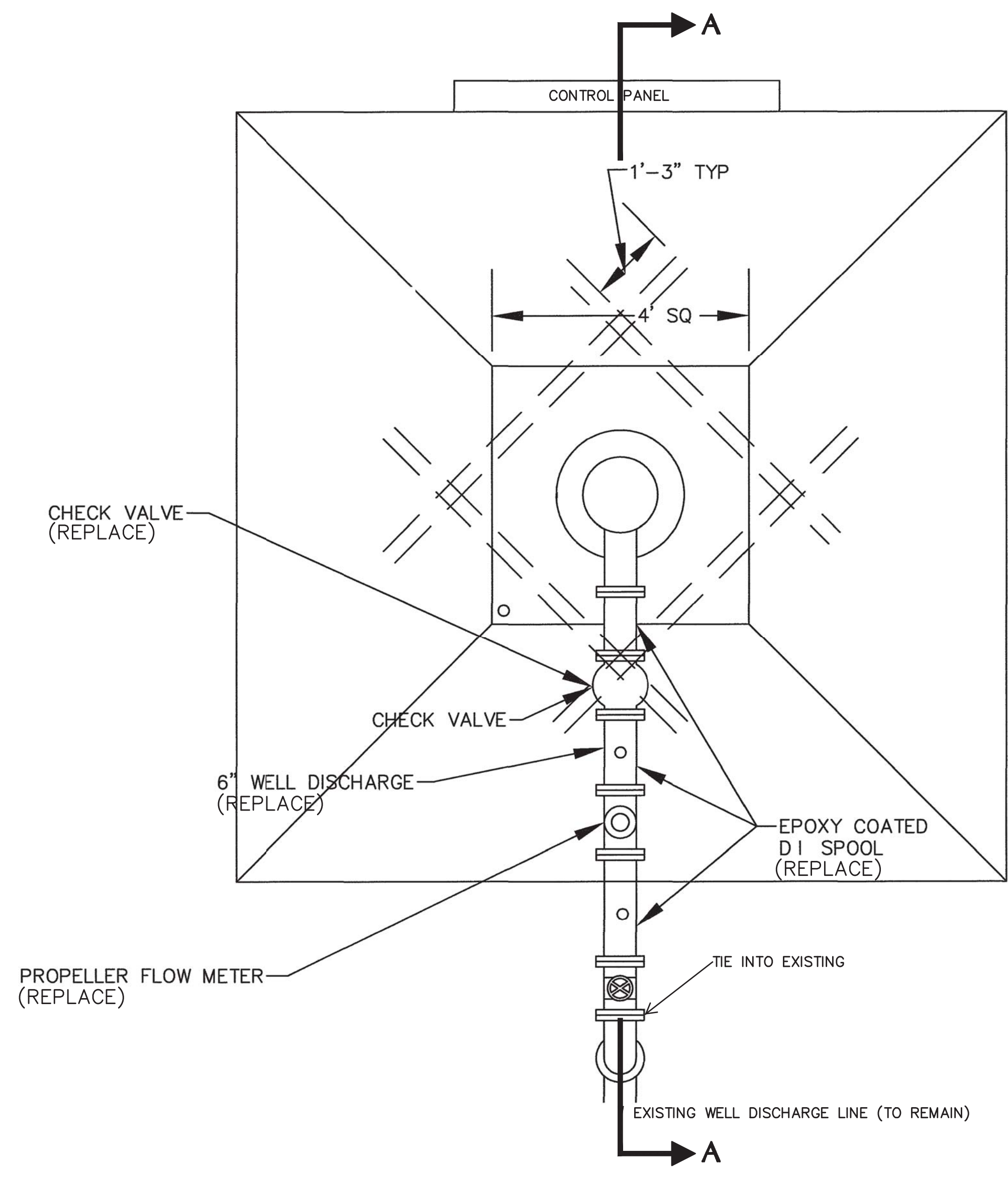


Nicklaus Engineering Inc.
1851 West 24th Street P.O. Box 6029
YUMA, ARIZONA 85364 (928)344-8374
Email: nei@nelaw.com

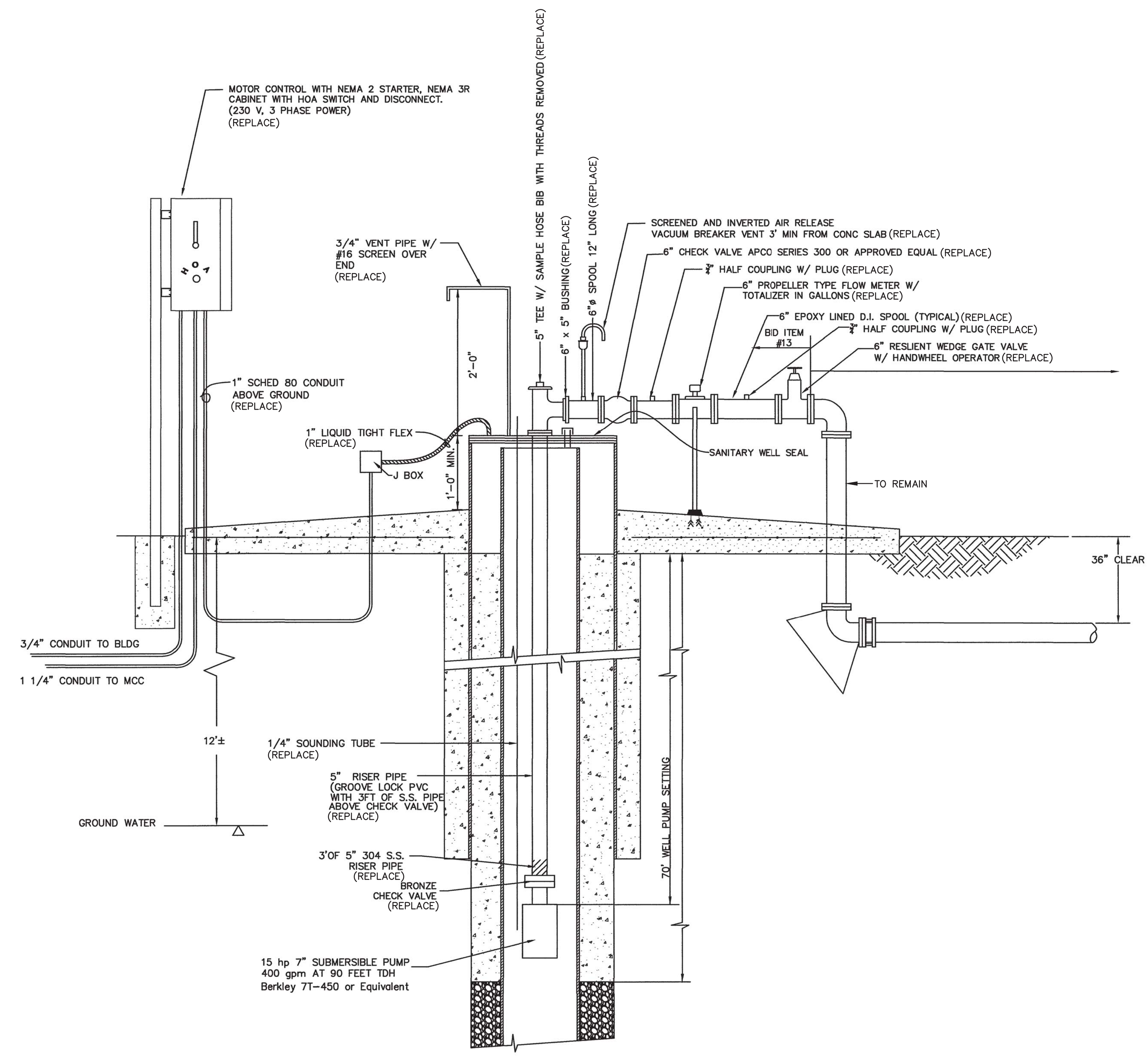
SCALE: AS SHOWN
DATE: NOV., 2016
DES. BY: EG
DRAWN BY: ZF
SURVEYED BY: RS
JOB. No.: 016-0039
SHEET 6 OF 17

C5

N:\2016\016-0039 Winterhaven WTP & Wastewater Improvements\DWG\016-0039 Winterhaven WTP Details_C6.dwg



WELL PLAN VIEW
N.T.S. A
C6



SECTION A-A
N.T.S.



| | |
|--|-----------|
| WINTERHAVEN WATER/SEWER IMPROVEMENT | |
| WATER PLANT IMPROVEMENT DETAILS | |
| | |
| Nicklaus Engineering Inc. 1851 West 24th Street P.O. Box 6029 YUMA, ARIZONA 85364 (928)344-8374 Email: nei@nelaw.com | |
| SCALE: AS SHOWN DATE: NOV., 2016 DES. BY: EG DRAWN BY: ZF SURVEYED BY: RS JOB. No.: 016-0039 SHEET 7 OF 17 | C6 |

THE USE OF THESE PLANS AND SPECIFICATIONS SHALL BE RESTRICTED TO THE ORIGINAL SITE FOR WHICH THEY WERE PREPARED AND PUBLICATION THEREOF IS EXPRESSLY LIMITED TO SUCH USE. REUSE, REPRODUCTION, OR PUBLICATION BY ANY METHOD, IN WHOLE OR IN PART IS PROHIBITED. TITLE TO THE PLANS AND SPECIFICATIONS REMAINS WITH THE ENGINEER WITHOUT PREJUDICE. VISUAL CONTACT WITH THESE PLANS AND SPECIFICATIONS SHALL CONSTITUTE PRIMA FACIE EVIDENCE OF THE ACCEPTANCE OF THESE RESTRICTIONS.

N:\2016\016-0039 Winterhaven WTP & Wastewater Improvements\DWG\016-0039 Winterhaven Sewer Imp. C7.dwg

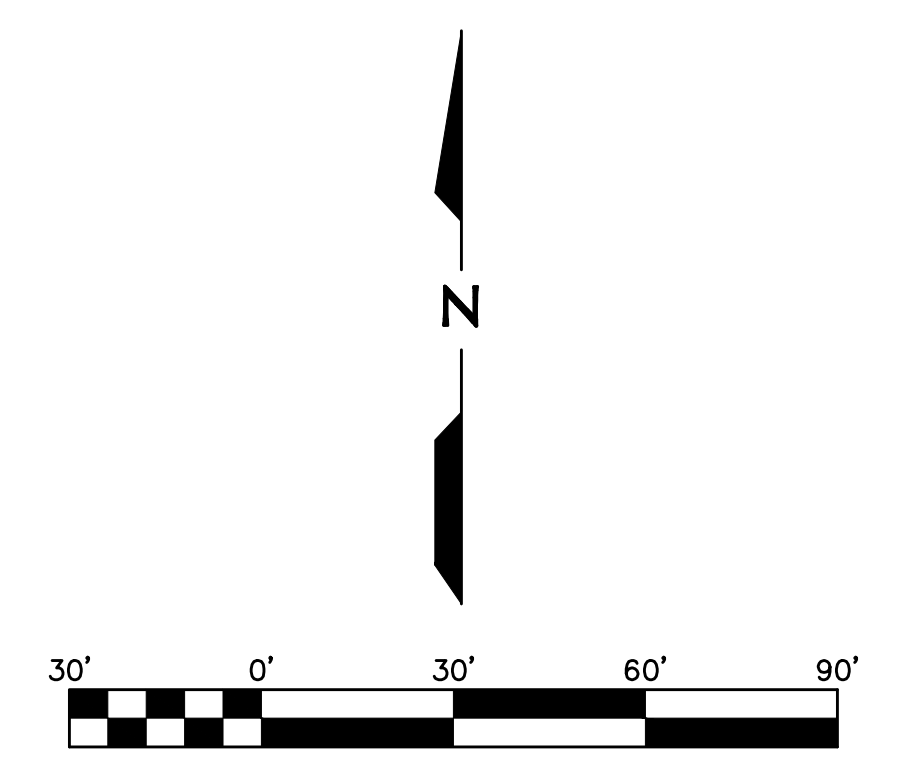


LEGEND

| | |
|--|---------------------------------|
| | EXISTING CENTER LINE |
| | EXISTING RIGHT OF WAY LINE |
| | EXISTING BUILDING |
| | EXISTING ASPHALT PAVEMENT |
| | EXISTING CONCRETE |
| | EXISTING GUY WIRE POLE |
| | EXISTING WATER VALVE |
| | EXISTING SEWER MANHOLE |
| | EXISTING FIRE HYDRANT |
| | EXISTING POWER POLE |
| | EXISTING WATER METER |
| | EXISTING TELEPHONE JUNCTION BOX |

D STREET

3rd AVENUE



SCHEDULE OF WORK

- 1 REPLACE EXISTING SEWER MANHOLE SEE DETAIL
- 2 REPLACE EXISTING ELECTRICAL PANEL SEE DETAIL



WINTERHAVEN WATER/SEWER IMPROVEMENT

SEWER SYSTEM SITE PLAN

Nicklaus Engineering Inc.
 1851 West 24th Street P.O. Box 6029
 YUMA, ARIZONA 85364 (928)344-8374
 Email: nei@nelaw.com

| | |
|--------------|------------|
| SCALE: | AS SHOWN |
| DATE: | NOV., 2016 |
| DES. BY: | EG |
| DRAWN BY: | ZF |
| SURVEYED BY: | RS |
| JOB. No.: | 016-0039 |
| SHEET | 8 OF 17 |

C7

THE USE OF THESE PLANS AND SPECIFICATIONS SHALL BE RESTRICTED TO THE ORIGINAL SITE FOR WHICH THEY WERE PREPARED AND PUBLICATION THEREOF IS EXPRESSLY LIMITED TO SUCH USE. REUSE, REPRODUCTION, OR PUBLICATION BY ANY METHOD, IN WHOLE OR IN PART IS PROHIBITED. TITLE TO THE PLANS AND SPECIFICATIONS REMAINS WITH THE ENGINEER WITHOUT PREJUDICE. VISUAL CONTACT WITH THESE PLANS AND SPECIFICATIONS SHALL CONSTITUTE PRIMA FACIE EVIDENCE OF THESE RESTRICTIONS.